

ALL ELEVATIONS ARE VIEWED FROM OUTSIDE UNLESS OTHERWISE STATED.

CONTRACT NUMBER:

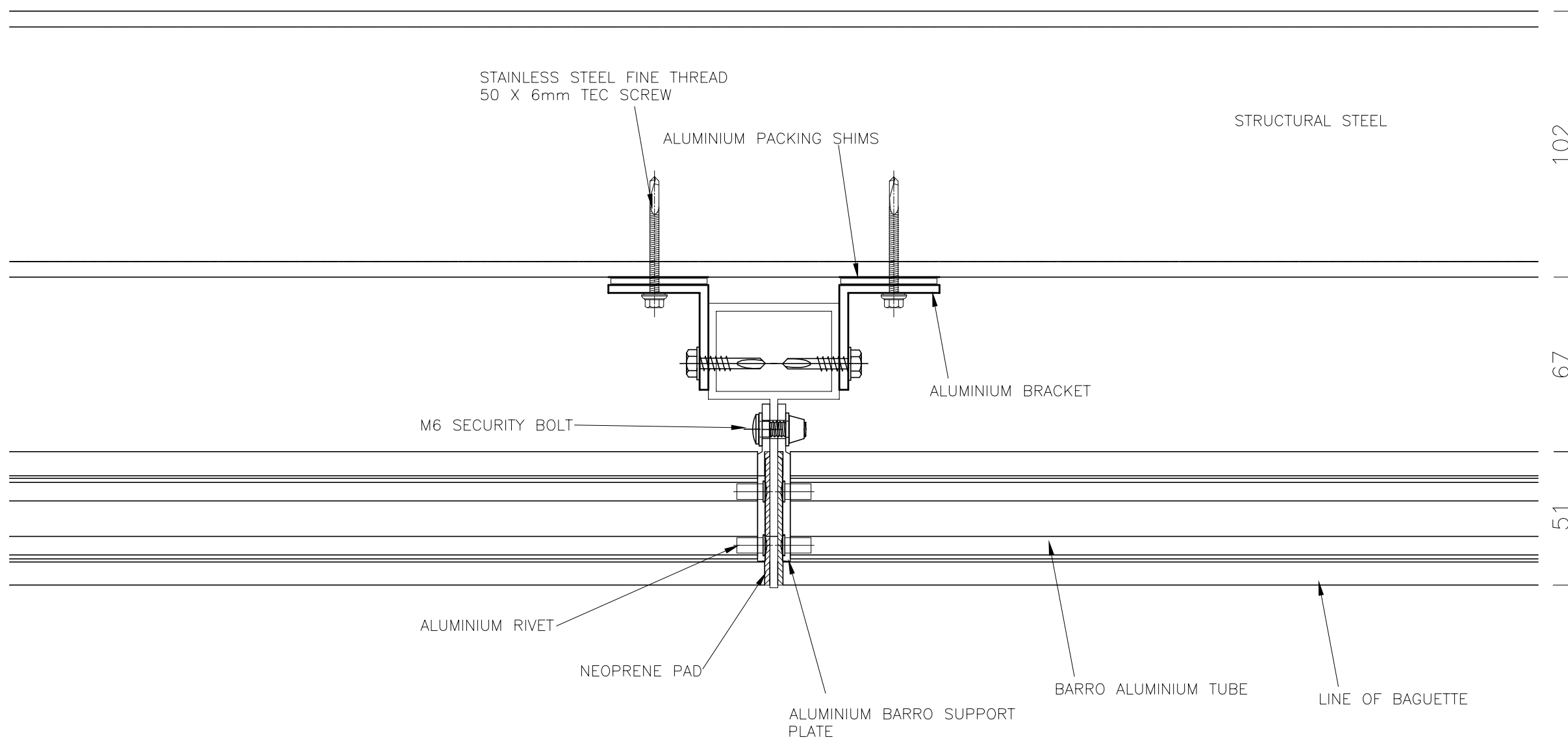
DO NOT SCALE !!!  
Copyright TELLING Architectural Ltd.

SPECIFICATION

TILE SYSTEM:  
MODULE SIZE:  
COLOUR:

DRAWING STATUS

NOTE:  
THESE STANDARD DETAILS DO NOT INCORPORATE FIRE BARRIER REQUIREMENTS AROUND WINDOW OPENING AND FLOOR SLABS. THESE INTERFACING REQUIREMENTS MUST BE REVIEWED WITH THE LOCAL FIRE INSPECTOR BEFORE FINALISATION OF DETAILS.



NOTE  
ANY FIGS. or DIMENSIONS STATED ARISE FROM "AS DRAWN"  
AND ARE SUBJECT TO CHANGE UPON DESIGN INTENT

REV	DATE	COMMENTS

CONTRACT:  
TELLING TYPICAL DETAILS  
MIDSPAN BAGUETTE DETAILS

**Telling Architectural Ltd.**  
 7 The Dell  
 Enterprise Drive  
 Four Ashes  
 Wolverhampton  
 W10 7DF  
 Tel : 01902 797700  
 Fax : 01902 797720



DRAWING TITLE :  
BAGUETTE JOINTING TO  
SMALL BOX PROFILE  
ONTO STR. STEEL  
OPTION 2

SCALE A1	SCALE A2	SCALE A3

DRAWN	DRAWING No.	REV
	D177	