

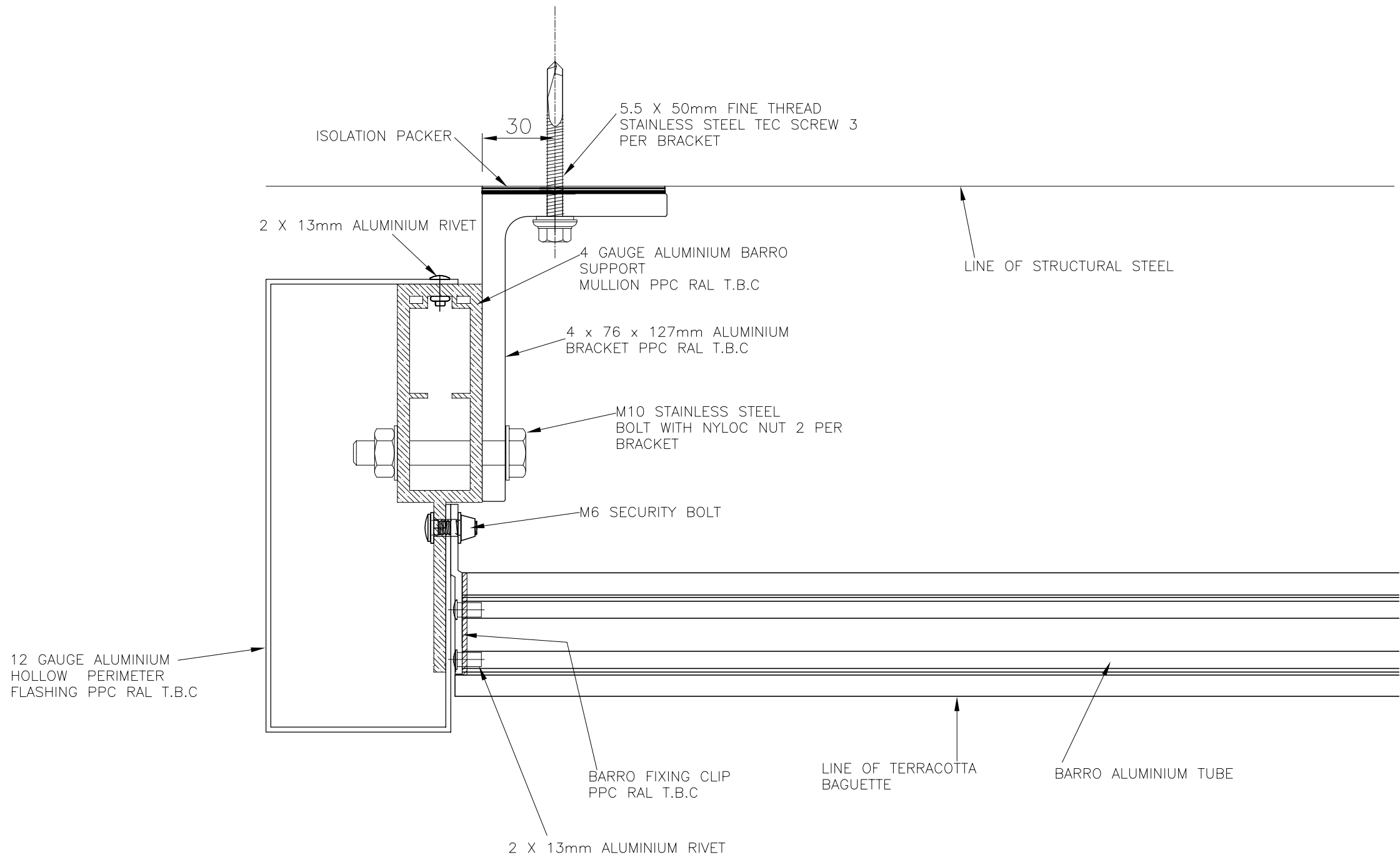
ALL ELEVATIONS ARE VIEWED FROM OUTSIDE UNLESS OTHERWISE STATED.

CONTRACT NUMBER:
DO NOT SCALE !!!
Copyright TELLING Architectural Ltd.

SPECIFICATION
TILE SYSTEM:
MODULE SIZE:
COLOUR:

DRAWING STATUS

NOTE:
THESE STANDARD DETAILS DO NOT INCORPORATE FIRE BARRIER REQUIREMENTS AROUND WINDOW OPENING AND FLOOR SLABS. THESE INTERFACING REQUIREMENTS MUST BE REVIEWED WITH THE LOCAL FIRE INSPECTOR BEFORE FINALISATION OF DETAILS.



NOTE
ANY FIGS. or DIMENSIONS STATED ARISE FROM "AS DRAWN"
AND ARE SUBJECT TO CHANGE UPON DESIGN INTENT

REV	DATE	COMMENTS

CONTRACT:
TELLING TYPICAL DETAILS
LARGE SPAN BAGUETTE DETLS

Telling Architectural Ltd.
7 The Dell
Enterprise Drive
Four Ashes
Wolverhampton
W10 7DF
Tel : 01902 797700
Fax : 01902 797720



DRAWING TITLE :
LARGE BOX PROFILE TO
BAGUETTE CLOSURE
OFF STR. STEEL
OPTION 2

SCALE A1	SCALE A2	SCALE A3

DRAWN	DRAWING No.	REV
	D191	